



# HOSHIZAKI

## CERTIFICATION



HACCP International



ISO9001

## FM-120KS-50-HC

### FLAKE ICE MAKER



## Key Features

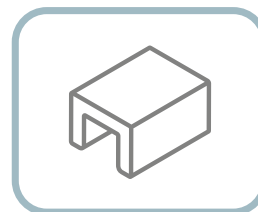


NATURAL  
REFRIGERANTS

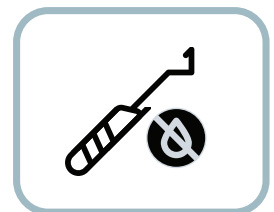
**Eco-Friendly  
Refrigerant**



**Easy for maintenance**  
Notify when parts should  
be replaced



**Stainless Steel  
Exterior**

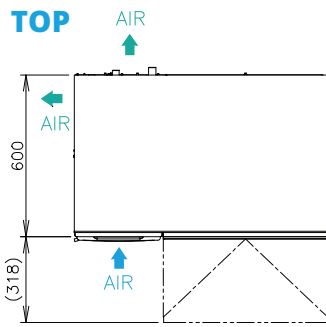


**Stainless Steel &  
Greaseless Auger**

Our Flake & Nugget Ice Makers belong to the true allrounders of the Hoshizaki product line-up. These powerful, durable and sustainable machines are highly popular across different market segments, such as in food preparation / processing, as well as in hotels, bars, restaurants and catering businesses.



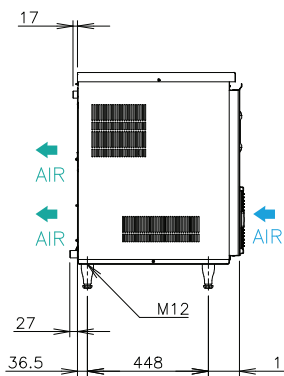
# Dimensions & Specifications



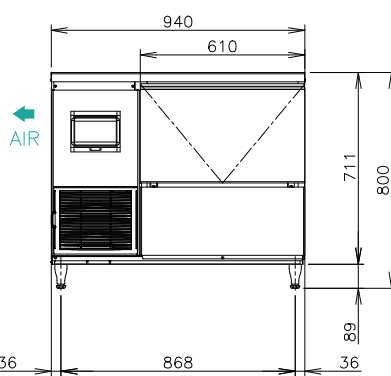
## ICE SHAPE FLAKE



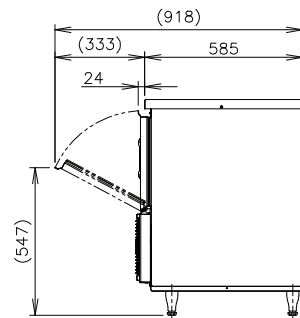
## LEFT SIDE



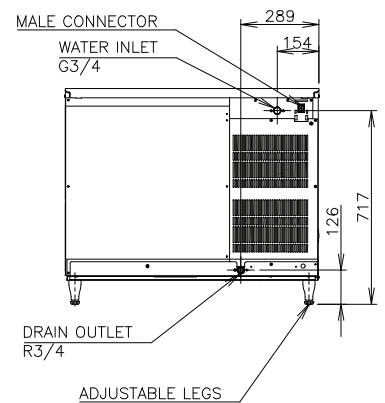
## FRONT



## RIGHT SIDE



## BACK



MODEL		FM-120KS-50-HC
ICE SHAPE		Flake Ice
POWER SUPPLY		1 Phase 220V 60Hz Capacity: 0.40kVA (1.8A)
AMPERAGE		1.8A Started: 6.9A
ELECTRIC CONSUMPTION		335W
HEAT REJECTION	(AT32°C / WT21°C)	670W
ICE PRODUCTION PER 24H	(AT10°C / WT10°C)	138kg
	(AT21°C / WT15°C)	118kg
	(AT32°C / WT21°C)	89kg
STORAGE CAPACITY		Approx. 57kg
WATER CONSUMPTION PER 24H	(AT32°C / WT21°C)	95L
REFRIGERANT		R290 / 100g
OUTSIDE DIMENSIONS		940mm(W) x 600mm(D) x 800(- 833)mm(H)
PACKAGE		Carton 1046mm(W) x 706mm(D) x 887mm(H)
WEIGHT		72kg (Gross 88kg)
OPERATING CONDITIONS		Ambient Temp:5-40°C, Water Supply Temp:5-35°C, Water Supply Pressure: 0.05-0.78MPa, Voltage Range: Rated Voltage±4%



# HOSHIZAKI

## HOSHIZAKI PHILIPPINES CORPORATION

Unit No. GB-2, G/F Agustin 1 Bldg., # 28 F. Ortigas Center, Pasig City,  
Philippines 1605

TEL +632 8839 2861 <https://hoshizaki-sea.com/>

